

Why to Install **Norton** Air Conditioners in your home or business:

- *Cutting edge technology and Innovative comfort air conditioning system*
- *Easy to install without intrusive cutting and patching the walls or ceiling*
- *Higher efficiency and reduced noise*
- *Separate temperature controls in each room or space*
- *Remote control, WIFI control and monitoring off site capability*
- *No cross contamination between rooms (to prevent contagious virus or odor migration from one room to other)*
- *Avoids energy losses associated with ductwork.*

HVAC System for variety of Applications

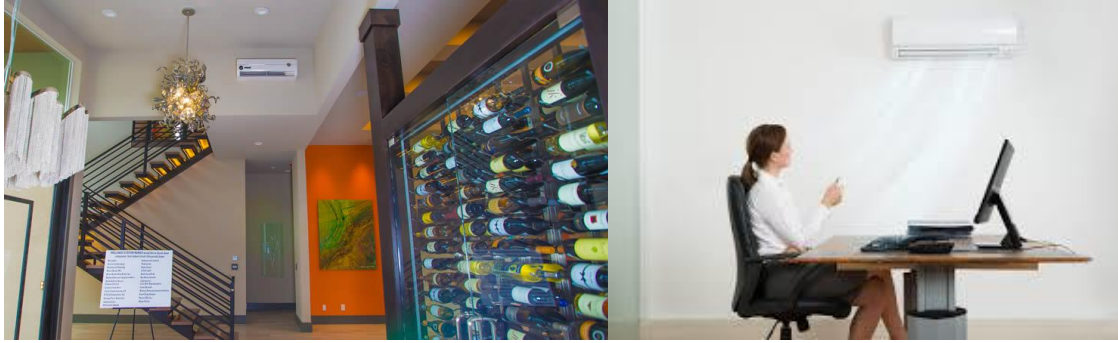


Traditional Homes



Comfy Remote Temperature and Humidity Control

Modern Homes/ Offices



Wine Cellar HVAC

Individual Temperature Control in each Room



Server Rooms

Table of Contents

Multi Zone Heat Pump

OUTDOOR MULTI-ZONE UNITS

2 Zone, 1.5 Ton	Page 1
3 Zone, 2.25Ton	Page 6
4 Zone, 3 Ton	Page 11
5 Zone, 4 Ton	Page 16

<u>MATCH RULES</u>	Page 21
--------------------	---------

INDOOR UNITS

Oasis Wall 0.75 Ton	Page 22
Oasis Wall 1 Ton	Page 25
Oasis Wall 1.5 Ton	Page 28
Oasis Wall 2 Ton	Page 31
Duct 0.75 Ton	Page 34
Duct 1 Ton	Page 38
Duct 1.5 Ton	Page 42
Duct 2 Ton	Page 46

Multi-Zone Heat Pump System

22.5 SEER

Nominal Capacity: 1.5 Ton

Outdoor Unit Model# OHP14-18-22-23

Cooling operating range

-13° ~ 122° F

Heating operating range

-13° ~ 86° F



AHRI Certification # 205300203



E-Star



Summery Specification, (for Details please refer to Submittal Sheet)

Application: Residential, Commercial, Healthcare, Server Rooms

FEATURES AND BENEFITS

OUTDOOR UNITS

- Qualified for Rebate programs in most of NE States
- Ductless Mini-split System
- Equipment Limited Warranty: 5 year parts, One (1) year warranty on remote control unit
- Single phase power supply (208/230V)
- R410A Refrigerant
- Multi-Refrigerant Outlet

- Outdoor Coil: Aluminum fins fitted to copper tubes, Golden Hydrophilic pre-coated fins
- Wire grille guard provided
- Variable Frequency Rotary Compressor
- Compressor Crankcase Heater
- Auto Restart
- DC Inverter Control,
- Inverter module protection
- Electronic expansion valve
- Compressor overcurrent protection
- Condenser high temperature protection
- Compressor discharge temperature protection
- Voltage protection
- Terminal Strip
- Defrost control
- 4-way interchange reversing valve
- Multi-Refrigerant Outlet
- Quiet outdoor operation, as low as 62 dB(A)

Other Features

- **Stepless Frequency Adjustment**

Precise control of the system maintains stable and constant room temperature while reducing sound level and saving energy

• Cooling System Tons		1.5
Cooling Rated Capacity (@ 95° F Outdoor)	Btu/h	20,000
SEER –AHRI Rating		22.5
EER		12.5
Heating Rated Capacity (@47° F Outdoor)	Btu/h	18,700
Heating Rated Capacity (@17° F Outdoor)	Btu/h	13,000
Heating Maximum Capacity (@5° F Outdoor)	Btu/h	9,660
HSPF-4		10.3
COP (@47° F Outdoor)	W/W	3.6
COP (@17° F Outdoor)	W/W	2.35
COP (@5° F Outdoor)	W/W	1.86

Notes:

The performance data is based on match of (2) Indoor Unit Model# DWHP14-09-12-25

All Electrical installations in the field shall be performed according to electrical codes.



Five (5) years on all parts to the original registered end-user warranty



One (1) year warranty on remote control unit.



Submittal Data Sheet

Project Name:			Approval:	
Location:			Date:	
Engineer:			Construction:	
Submitted to:			Unit #:	
Submitted by:			Drawing #:	
Reference:				

Outdoor model	OHP14-18-22-23
---------------	----------------

PERFORMANCE DATA

Power supply	Ph-V-Hz	208-230V~60Hz , 1Ph
Cooling		
Capacity	Btu/h	20,000
Input	W	1525
Rated current	A	6.6
Heating		
Capacity	Btu/h	18,700
Input	W	1427
Rated current	A	6.2
COP	W/W	3.8
Electrical		
MINIMUM CIRCUIT AMPACITY	A	18.0
MAX. FUSE	A	25.0
Connection wiring		16*4 AWG
Compressor		
Model		ATM150D23UFZ
Type		ROTARY
Brand		GMCC
Capacity	Btu/h	15388
Input	W	1170
Rated current(RLA)	A	10
Locked rotor Amp(LRA)	A	---
Thermal protector		---
Thermal protector position		---
Refrigerant oil/oil charge	ml	VG74/500
Operation temperature		
Indoor(cooling/ heating)	Deg. F	62~90/32~86
Outdoor(cooling/heating)	Deg. F	-13~122/ -13~86
Application area	sq.ft	258-376

OUTDOOR UNIT DATA

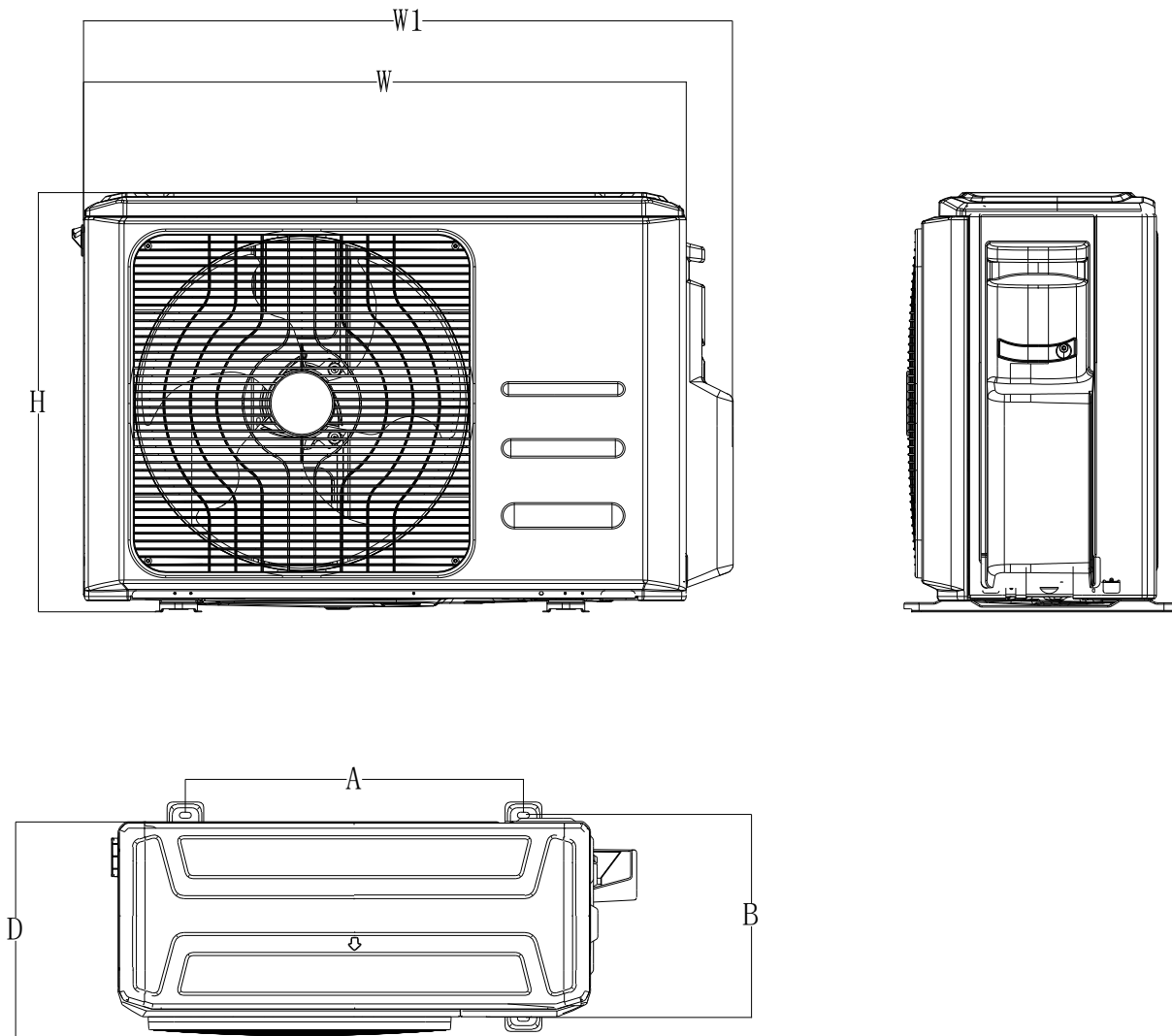
Outdoor fan motor		
Model		ZKFN-50-8-2
Type		DC
Input		115.0
RLA	A	0.55
Speed	r/min	800/650/550
Air flow & Noise level		
Outdoor air flow	CFM	817.65
Outdoor noise level	dB(A)	62.4

Outdoor unit		
Dimension(W*D*H)	inch	33.27x14.29x27.64
Packing (W*D*H)	inch	37.99x15.55x29.72
Net/Gross weight	lbs.	105.82/114.64

SYSTEM DATA

Design pressure	PSIG	550/340
Refrigerant type	oz	R410A/70.5
Refrigerant precharge	ft	49
Additional charge per ft.	oz	0.16 for 1/4" liquid pipe 0.32 for 3/8" liquid pipe
Liquid side/ Gas side	mm(inch)	2 X Φ6.35/Φ9.52(1/4"/3/8")
Max. length for all rooms	ft	131
Max. length for one indoor unit	ft	82
Max. height difference between indoor and outdoor unit	ft	49
Max. height difference between indoor units	ft	33

OUTDOOR UNIT



Model	W (inch)	D (inch)	H (inch)	W1inch)	A(inch)	B (inch)
OHP14-18-22-23	33.3	14.3	27.6	36.0	21.3	13.8

Multi-Zone Heat Pump System

23 SEER

Nominal Capacity: 2.25 Ton

Outdoor Unit Model# OHP14-27-32-23

Cooling operating range

-13° ~ 122° F

Heating operating range

-13° ~ 86° F



AHRI Certification # 205300206



E-Star



Summery Specification, (for Details please refer to Submittal Sheet)

Application: Residential, Commercial, Healthcare, Server Rooms

FEATURES AND BENEFITS

OUTDOOR UNITS

- Qualified for Rebate programs in most of NE States
- Ductless Mini-split System
- Equipment Limited Warranty: 5 year parts, One (1) year warranty on remote control unit
- Single phase power supply (208/230V)
- R410A Refrigerant
- Multi-Refrigerant Outlet

- Outdoor Coil: Aluminum fins fitted to copper tubes, Golden Hydrophilic pre-coated fins
- Wire grille guard provided
- Variable Frequency Rotary Compressor
- Compressor Crankcase Heater
- Auto Restart
- DC Inverter Control,
- Inverter module protection
- Electronic expansion valve
- Compressor overcurrent protection
- Condenser high temperature protection
- Compressor discharge temperature protection
- Voltage protection
- Terminal Strip
- Defrost control
- 4-way interchange reversing valve
- Multi-Refrigerant Outlet
- Quiet outdoor operation, as low as 63 dB(A)

Other Features

- **Stepless Frequency Adjustment**

Precise control of the system maintains stable and constant room temperature while reducing sound level and saving energy

Cooling System Tons		2.25
Cooling Rated Capacity (@ 95° F Outdoor)	Btu/h	31,000
SEER –AHRI Rating		23
EER		12.5
Heating Rated Capacity (@47° F Outdoor)	Btu/h	32,000
Heating Rated Capacity (@17° F Outdoor)	Btu/h	20,900
Heating Maximum Capacity (@5° F Outdoor)	Btu/h	16,800
HSPF-4		10.3
COP (@47° F Outdoor)	W/W	3.56
COP (@17° F Outdoor)	W/W	2.27
COP (@5° F Outdoor)	W/W	1.95

Notes:

The performance data is based on match of (3) Indoor Unit Model# DWHP14-09-12-25

All Electrical installations in the field shall be performed according to electrical codes



Five (5) years on all parts to the original registered end-user warranty



One (1) year warranty on remote control unit.

Project Name:			Approval:	
Location:			Date:	
Engineer:			Construction:	
Submitted to:			Unit #:	
Submitted by:			Drawing #:	
Reference:				

Outdoor model	OHP14-27-32-23
---------------	----------------

PERFORMANCE DATA

Power supply	Ph-V-Hz	208-230V~60Hz , 1Ph
Cooling		
Capacity	Btu/h	31,000
Input	W	2545
Rated current	A	11.1
Heating		
Capacity	Btu/h	32,000
Input	W	2261
Rated current	A	9.8
COP	W/W	3.63
Electrical		
MINIMUM CIRCUIT AMPACITY	A	25.0
MAX. FUSE	A	35.0
Connection wiring		16*4 AWG
Compressor		
Model		ATF235D22UMT
Type		ROTARY
Brand		GMCC
Capacity	Btu/h	24345
Input	W	1970
Rated current(RLA)	A	20
Locked rotor Amp(LRA)	A	---
Thermal protector		---
Thermal protector position		---
Refrigerant oil/oil charge	ml	VG74/670
Operation temperature		
Indoor(cooling/ heating)	Deg. F	62~90/32~86
Outdoor(cooling/heating)	Deg. F	-13~122/ -13~86
Application area	sq.ft	387-564

OUTDOOR UNIT DATA

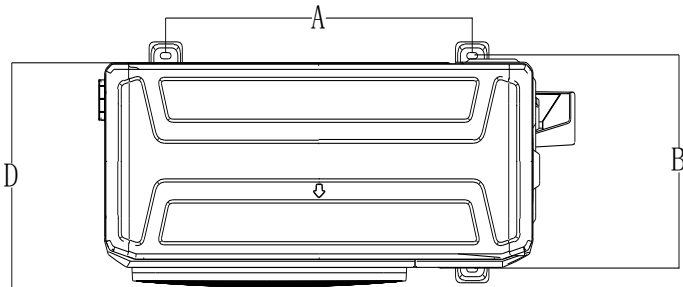
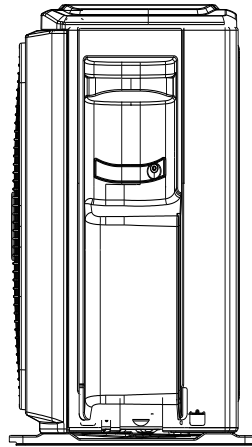
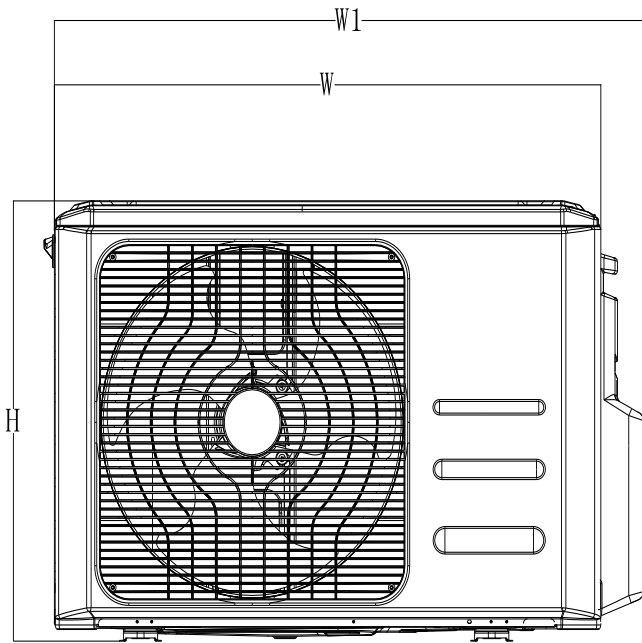
Outdoor fan motor		
Model		ZKFN-120-8-2
Type		DC
Input		150.0
RLA	A	1.39
Speed	r/min	900/750/600
Air flow & Noise level		
Outdoor air flow	CFM	2129.41
Outdoor noise level	dB(A)	63.4

Outdoor unit		
Dimension(W*D*H)	inch	37.24x16.14x31.89
Packing (W*D*H)	inch	42.91x19.69x34.06
Net/Gross weight	lbs.	149.91/160.94

SYSTEM DATA

Design pressure	PSIG	550/340
Refrigerant type	oz	R410A/98.8
Refrigerant precharge	ft	74
Additional charge per ft.	oz	0.16 for 1/4" liquid pipe 0.32 for 3/8" liquid pipe
Liquid side/ Gas side	mm(inch)	3 X Ø6.35/Ø9.52(1/4"/3/8")
Max. length for all rooms	ft	197
Max. length for one indoor unit	ft	98
Max. height difference between indoor and outdoor unit	ft	49
Max. height difference between indoor units	ft	33

OUTDOOR UNIT



Model	W (inch)	D (inch)	H (inch)	W1inch)	A(inch)	B (inch)
OHP14-27-32-23	37.24	16.54	31.89	40.55	26.5	15.9

Multi-Zone Heat Pump System

23.8 SEER

Nominal Capacity: 3 Ton

Outdoor Unit Model# OHP14-36-42-23

Cooling operating range

-13° ~ 122° F

Heating operating range

-13° ~ 86° F



AHRI Certification # 205300209



E-Star



Summery Specification, (for Details please refer to Submittal Sheet)

Application: Residential, Commercial, Healthcare, Server Rooms

FEATURES AND BENEFITS

OUTDOOR UNITS

- Qualified for Rebate programs in most of NE States
- Ductless Mini-split System
- Equipment Limited Warranty: 5 year parts, One (1) year warranty on remote control unit
- Single phase power supply (208/230V)
- R410A Refrigerant
- Multi-Refrigerant Outlet

- Outdoor Coil: Aluminum fins fitted to copper tubes, Golden Hydrophilic pre-coated fins
- Wire grille guard provided
- Variable Frequency Rotary Compressor
- Compressor Crankcase Heater
- Auto Restart
- DC Inverter Control,
- Inverter module protection
- Electronic expansion valve
- Compressor overcurrent protection
- Condenser high temperature protection
- Compressor discharge temperature protection
- Voltage protection
- Terminal Strip
- Defrost control
- 4-way interchange reversing valve
- Multi-Refrigerant Outlet
- Quiet outdoor operation, as low as 62 dB(A)

Other Features

- **Stepless Frequency Adjustment**

Precise control of the system maintains stable and constant room temperature while reducing sound level and saving energy

Cooling System Tons		3
Cooling Rated Capacity (@ 95° F Outdoor)	Btu/h	37,000
SEER –AHRI Rating		23.8
EER		12.5
Heating Rated Capacity (@47° F Outdoor)	Btu/h	34,000
Heating Rated Capacity (@17° F Outdoor)	Btu/h	26,600
Heating Maximum Capacity (@5° F Outdoor)	Btu/h	21,300
HSPF-4		10.3
COP (@47° F Outdoor)	W/W	3.43
COP (@17° F Outdoor)	W/W	2.26
COP (@5° F Outdoor)	W/W	1.96

Notes:

The performance data is based on match of (4) Indoor Unit Model# DWHP14-09-12-25

All Electrical installations in the field shall be performed according to electrical codes.



Five (5) years on all parts to the original registered end-user warranty



One (1) year warranty on remote control unit.



Submittal Data Sheet

AIR CONDITIONERS

Project Name:			Approval:	
Location:			Date:	
Engineer:			Construction:	
Submitted to:			Unit #:	
Submitted by:			Drawing #:	
Reference:				

Outdoor model	OHP14-36-42-23
---------------	----------------

PERFORMANCE DATA

Power supply	Ph-V-Hz	208-230V~60Hz , 1Ph
Cooling		
Capacity	Btu/h	37000
Input	W	3600
Rated current	A	15.7
Heating		
Capacity	Btu/h	34000
Input	W	3046
Rated current	A	13.2
COP	W/W	3.56
Electrical		
MINIMUM CIRCUIT AMPACITY	A	30.0
MAX. FUSE	A	45.0
Connection wiring		16*4 AWG
Compressor		
Model		ATF310D43UMT
Type		ROTARY
Brand		GMCC
Capacity	Btu/h	34000
Input	W	2600
Rated current(RLA)	A	22
Locked rotor Amp(LRA)	A	---
Thermal protector		---
Thermal protector position		---
Refrigerant oil/oil charge	ml	VG74/1000
Operation temperature		
Indoor(cooling/ heating)	Deg. F	62~90/32~86
Outdoor(cooling/heating)	Deg. F	-13~122/ -13~86
Application area	sq.ft	517-757

OUTDOOR UNIT DATA

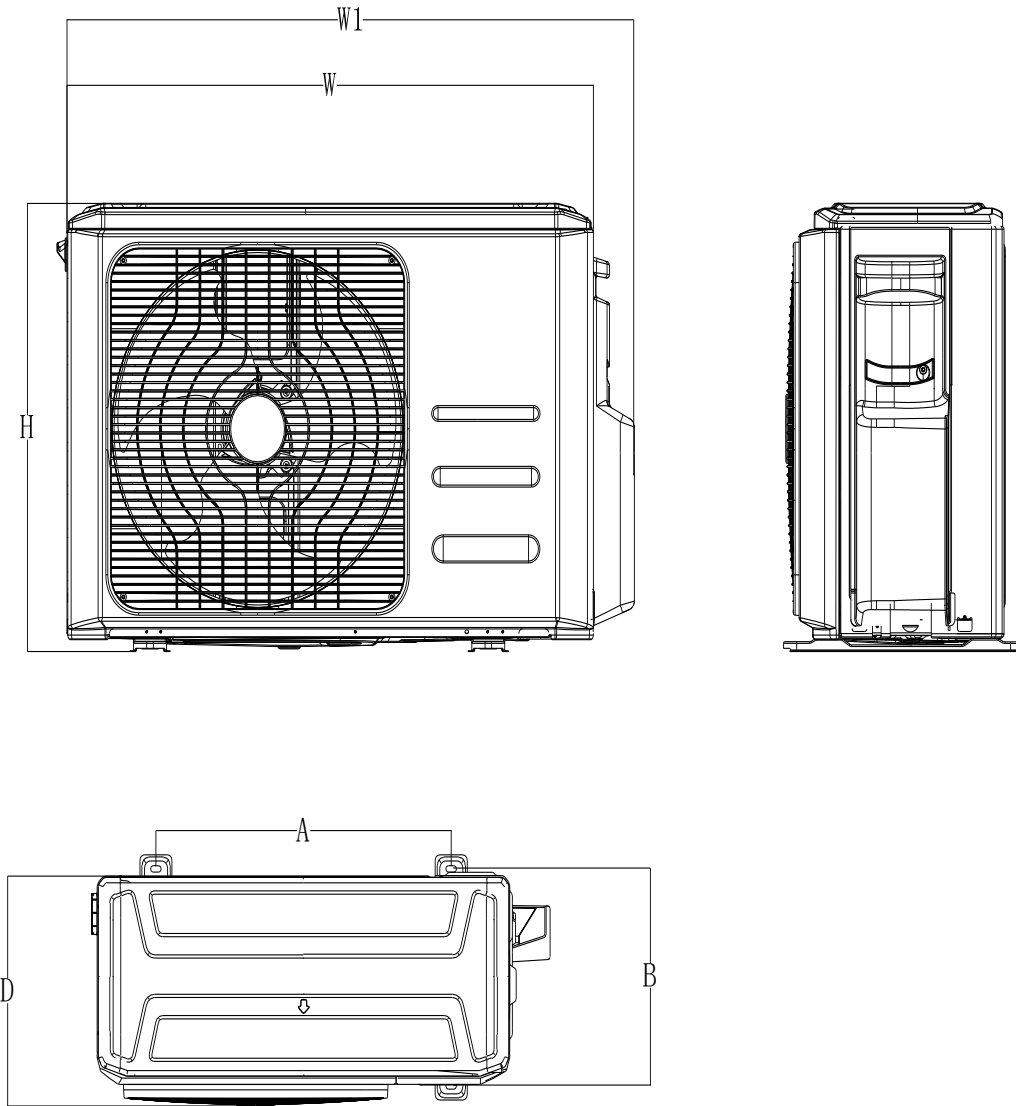
Outdoor fan motor		
Model		ZKFN-120-8-2
Type		DC
Input		150.0
RLA	A	1.39
Speed	r/min	900/750/600
Air flow & Noise level		
Outdoor air flow	CFM	2147.06
Outdoor noise level	dB(A)	62.3

Outdoor unit		
Dimension(W*D*H)	inch	37.24x16.14x31.89
Packing (W*D*H)	inch	42.91x19.69x34.06
Net/Gross weight	lbs.	156.53/167.55

SYSTEM DATA

Design pressure	PSIG	550/340
Refrigerant type	oz	R410A/105.8
Refrigerant precharge	ft	98
Additional charge per ft.	oz	0.16 for 1/4" liquid pipe 0.32 for 3/8" liquid pipe
Liquid side/ Gas side	mm(inch)	4 X Φ6.35/Φ9.52(1/4"/3/8")
Max. length for all rooms	ft	262
Max. length for one indoor unit	ft	115
Max. height difference between indoor and outdoor unit	ft	49
Max. height difference between indoor units	ft	33

OUTDOOR UNIT



Model	W (inch)	D (inch)	H (inch)	W1inch)	A(inch)	B (inch)
OHP14-36-42-23	37.24	16.54	31.89	40.55	26.5	15.9

Multi-Zone Heat Pump System

21.5 SEER

Nominal Capacity: 4 Ton

Outdoor Unit Model# OHP14-48-52-23

Cooling operating range

-13° ~ 122° F

Heating operating range

-13° ~ 86° F



AHRI Certification # 205300213



Summery Specification, (for Details please refer to Submittal Sheet)

Application: Residential, Commercial, Healthcare, Server Rooms

FEATURES AND BENEFITS

OUTDOOR UNITS

- Qualified for Rebate programs in most of NE States
- Ductless Mini-split System
- Equipment Limited Warranty: 5 year parts, One (1) year warranty on remote control unit
- Single phase power supply (208/230V)
- R410A Refrigerant
- Multi-Refrigerant Outlet
- Outdoor Coil: Aluminum fins fitted to copper tubes, Golden Hydrophilic pre-coated fins
- Wire grille guard provided
- Variable Frequency Rotary Compressor
- Compressor Crankcase Heater
- Auto Restart

- DC Inverter Control,
- Inverter module protection
- Electronic expansion valve
- Compressor overcurrent protection
- Condenser high temperature protection
- Compressor discharge temperature protection
- Voltage protection
- Terminal Strip
- Defrost control
- 4-way interchange reversing valve
- Multi-Refrigerant Outlet
- Quiet outdoor operation, as low as 64 dB(A)

Other Features

- **Stepless Frequency Adjustment**

Precise control of the system maintains stable and constant room temperature while reducing sound level and saving energy

• Cooling System Tons		4
Cooling Rated Capacity (@ 95° F Outdoor)	Btu/h	49,000
SEER –AHRI Rating		21.5
EER		11.3
Heating Rated Capacity (@47° F Outdoor)	Btu/h	56,900
Heating Rated Capacity (@17° F Outdoor)	Btu/h	30,000
Heating Maximum Capacity (@5° F Outdoor)	Btu/h	24,100
HSPF-4		11.3
COP (@47° F Outdoor)	W/W	3.5
COP (@17° F Outdoor)	W/W	2.12
COP (@5° F Outdoor)	W/W	1.85

Notes:

The performance data is based on match of (5) Indoor Unit Model# DWHP14-09-12-25

All Electrical installations in the field shall be performed according to electrical codes.



Five (5) years on all parts to the original registered end-user warranty



One (1) year warranty on remote control unit.



Submittal Data Sheet

AIR CONDITIONERS

Project Name:			Approval:	
Location:			Date:	
Engineer:			Construction:	
Submitted to:			Unit #:	
Submitted by:			Drawing #:	
Reference:				

Outdoor model	OHP14-48-52-23
---------------	----------------

PERFORMANCE DATA

Power supply	Ph-V-Hz	208-230V~60Hz , 1Ph
Cooling		
Capacity	Btu/h	49000
Input	W	4851
Rated current	A	21.1
Heating		
Capacity	Btu/h	56900
Input	W	4105
Rated current	A	17.8
COP	W/W	3.57
Electrical		
MINIMUM CIRCUIT AMPACITY	A	35.0
MAX. FUSE	A	50.0
Connection wiring		16*4 AWG
Compressor		
Model		ATQ360D1UMU
Type		Twin-ROTARY
Brand		GMCC
Capacity	Btu/h	38214
Input	W	3040
Rated current(RLA)	A	21
Locked rotor Amp(LRA)	A	---
Thermal protector		---
Thermal protector position		---
Refrigerant oil/oil charge	ml	VG74/1400
Operation temperature		
Indoor(cooling/ heating)	Deg. F	62~90/32~86
Outdoor(cooling/heating)	Deg. F	-13~122/ -13~86
Application area	sq.ft	700-1009

OUTDOOR UNIT DATA

Outdoor fan motor		
Model		ZKFN-85-8-22-2
Type		DC
Input		126.0
RLA	A	1.178
Speed	r/min	800/700/600
Air flow & Noise level		
Outdoor air flow	CFM	4500.00
Outdoor noise level	dB(A)	64

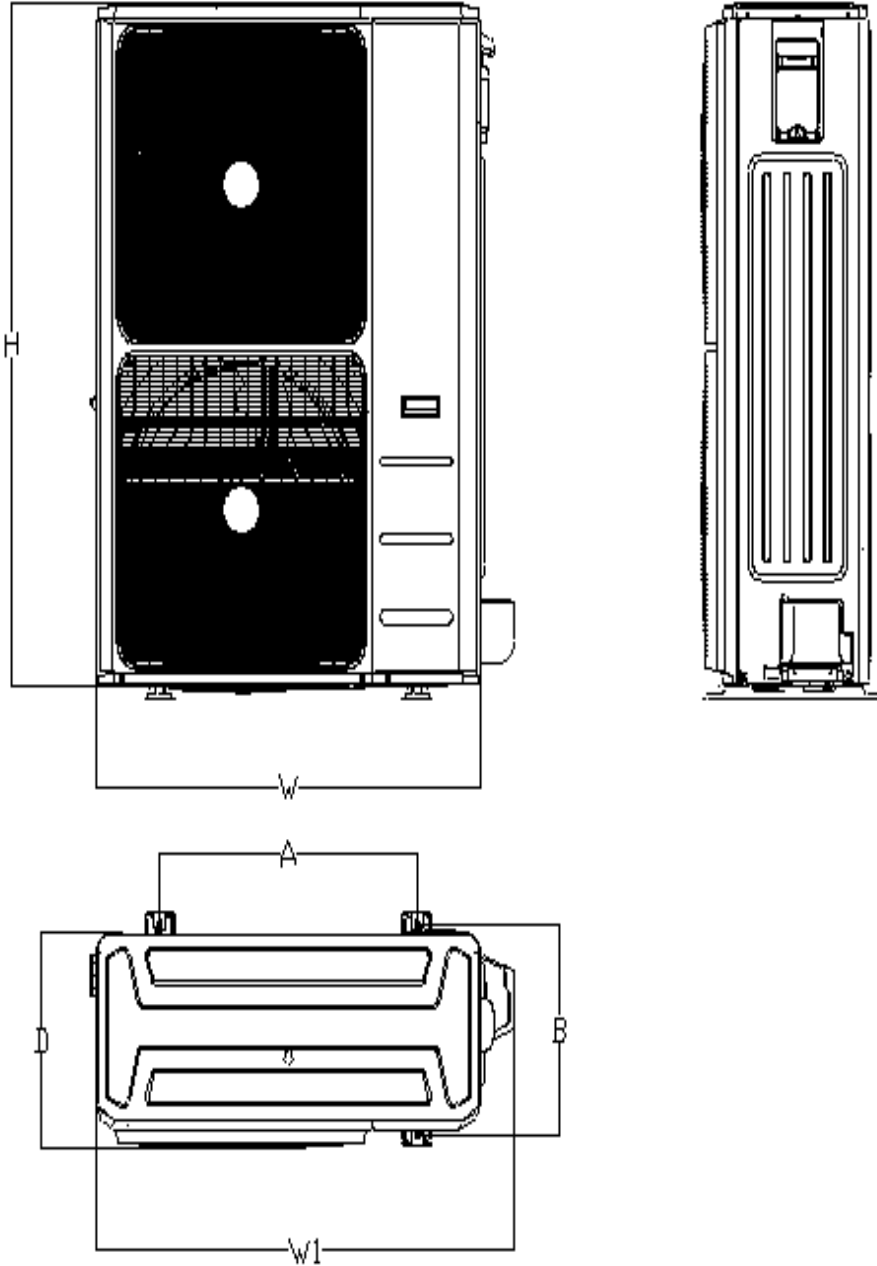
Outdoor unit

Dimension(W*D*H)	inch	37.48x16.34x52.48
Packing (W*D*H)	inch	43.11x19.49x58.27
Net/Gross weight	lbs.	223.77/255.07

SYSTEM DATA

Design pressure	PSIG	550/340
Refrigerant type	oz	R410A/162.3
Refrigerant precharge	ft	123
Additional charge per ft.	oz	0.16 for 1/4" liquid pipe 0.32 for 3/8" liquid pipe
Liquid side/ Gas side	mm(inch)	5 x Φ6.35/ 3xΦ9.52+2xΦ12.7(5x1/4"/3 x3/8"+2x1/2")
Max. length for all rooms	ft	262
Max. length for one indoor unit	ft	115
Max. height difference between indoor and outdoor unit	ft	49
Max. height difference between indoor units	ft	33

OUTDOOR UNIT



Model	W (inch)	D (inch)	H (inch)	W1inch)	A(inch)	B (inch)
OHP14-48-52-23	37.5	16.3	52.5	41.1	25.0	15.9

MULTI INDOOR UNITS COMBINATION RULE								
Multi Outdoor Unit		Available Indoor	Standard Combination	Two units	Three units	Four units	Five units	Limit
1 drive 2	18K- 2 Zone	Wall mounted(Oasis/AB) : 9K/12K ; Cassette/Duct/Console : 9K/12K ;	wall mounted 9+9; Duct: 9+9	9+9				
				9+12				
				12+12				
1 drive 3	27K- 3 Zone	Wall mounted(Oasis/AB) : 9K/12K/18K ; Cassette/Duct/Console&Floor Ceiling : 9K/12K/18K ;	wall mounted 9+9+9; Duct: 9+9+9	9+9	9+9+9			
				9+12	9+9+12			
				9+18	9+9+18			
				12+12	9+12+12			
				12+18	12+12+12			
1 drive 4	36K- 4 Zone	Wall mounted(Oasis/AB) : 9K/12K/18K/24K ; Cassette/Duct/Console&Floor Ceiling : 9K/12K/18K/24K ; AHU : 24K	wall mounted 9+9+9+9; Duct: 9+9+9+9	9+18	9+9+9	9+9+9+9		
				9+24	9+9+12	9+9+9+12		
				12+12	9+9+18	9+9+9+18		
				12+18	9+9+24	9+9+12+12		
				12+24	9+12+12	9+9+12+18		
				18+18	9+12+18	9+12+12+12		
					9+18+18	12+12+12+12		
					12+12+12			
					12+12+18			
					12+18+18			
1 drive 5	48K	Wall mounted(Oasis/AB) : 9K/12K/18K/24K ; Cassette/Duct/Console&Floor Ceiling : 9K/12K/18K/24K ; AHU : 24K	wall mounted 9+9+9+9+12; Duct: 9+9+9+9+12	9+24	9+9+18	9+9+9+9	9+9+9+9+9	
				12+24	9+9+24	9+9+9+12	9+9+9+9+12	
				18+18	9+12+12	9+9+9+18	9+9+9+9+18	
				18+24	9+12+18	9+9+9+24	9+9+9+9+24	
				24+24	9+12+24	9+9+12+12	9+9+9+12+12	
					9+18+18	9+9+12+18	9+9+9+12+18	
					9+18+24	9+9+12+24	9+9+9+18+18	
					9+24+24	9+9+18+18	9+9+12+12+12	
					12+12+12	9+9+18+24	9+9+12+12+18	
					12+12+18	9+12+12+12	9+12+12+12+12	
					12+12+24	9+12+12+18	9+12+12+12+18	
					12+18+18	9+12+12+24	12+12+12+12+12	
					12+18+24	9+12+18+18		
					12+24+24	9+18+18+18		
					18+18+18	12+12+12+12		
	18+18+24	12+12+12+18						
		12+12+12+24						
		12+12+18+18						

Notes: The above match rules are subject to the followings:

Outdoor unit capacity shall be equal or greater than the building loads(both heating and cooling)

Each Indoor unit capacity shall be equal or greater than the zone loads (both heating and cooling) of the zone serves

Oasis Indoor Units - Wall-Mounted

For Multi- Zone Application

Heat Pump

Nominal Capacity: 0.75 Ton

Indoor Unit Model# DWHP14-09-12-25

Sold Only with Muti-Zone Outdoor units

See Match Rules Tab



AHRI Certification # See the Multi-Zone Outdoor Unit



E-Star



Summery Specification, (for Details please refer to Submittal Sheet)

Application: Residential, Commercial, Healthcare, Server Rooms

FEATURES AND BENEFITS

- Qualified for Rebate programs in most of NE States
- Ductless Mini-split System
- Equipment Limited Warranty: 5 year parts, One (1) year warranty on remote control unit
- Single phase power supply (208/230V)
- R410A Refrigerant
- Multi-Refrigerant Outlet
- Electronic expansion valve

Other Features

- Pre-Heat Function
- Remote Control
- LED Readout
- Auto Restart
- Cooling Override
- Flare Connections
- Three Speed Fan

Indoor Color: White



Five (5) years on all parts to the original registered end-user warranty



One (1) year warranty on remote control unit.



AIR CONDITIONERS

www.NortonAirConditioners.com

Submittal Data Sheet

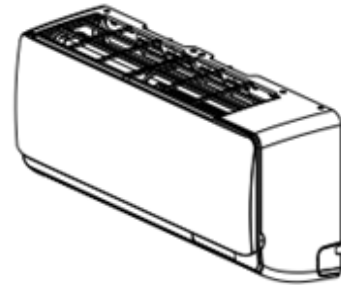
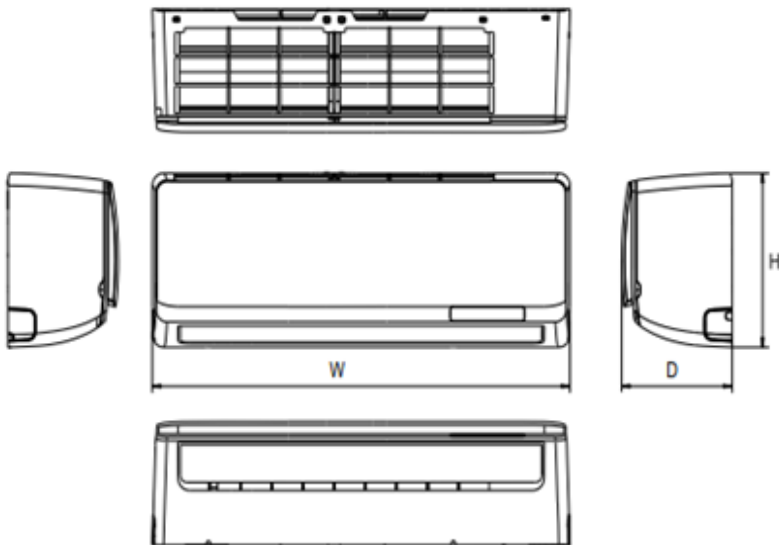
Project Name:		Approval:	
Location:		Date:	
Engineer:		Construction:	
Submitted to:		Unit #:	
Submitted by:		Drawing #:	
Reference:			

Indoor unit model	DWHP14-09-12-25
-------------------	-----------------

INDOOR UNIT DATA

Indoor fan motor		
Model		ZKFP-20-8-6-7
Type		DC
Input		50.0
RLA	A	0.036
LRA	A	---
Winding Resistance	Ω	---
Capacitor	uF	---
Speed(Hi/Mi/Lo)	r/min	1170/900/700
Air flow & Noise level		
Indoor air flow (Hi/Lo)	CFM	370/268/196
Indoor noise level (Hi/Lo)	dB(A)	41.7/33.4/26.5
Indoor unit		
Dimension(W*D*H)	inch	32.87x7.80x11.02
Packing (W*D*H)	inch	35.83x10.63x13.98
Net/Gross weight	lbs.	19.8/25.4

INDOOR UNIT



Model	W (inch)	D (inch)	H (inch)
DWHP14-09-12-25	32.87	7.8	11.02

Oasis Indoor Units - Wall-Mounted

For Multi- Zone Application

Heat Pump

Nominal Capacity: 1 Ton

Indoor Unit Model# DWHP14-12-12-25

Sold Only with Muti-Zone Outdoor units

See Match Rules Tab



AHRI Certification # See the Multi-Zone Outdoor Unit



E-Star



Summery Specification, (for Details please refer to Submittal Sheet)

Application: Residential, Commercial, Healthcare, Server Rooms

FEATURES AND BENEFITS

- Qualified for Rebate programs in most of NE States
- Ductless Mini-split System
- Equipment Limited Warranty: 5 year parts, One (1) year warranty on remote control unit
- Single phase power supply (208/230V)
- R410A Refrigerant
- Multi-Refrigerant Outlet
- Electronic expansion valve

Other Features

- Pre-Heat Function
- Remote Control
- LED Readout
- Auto Restart
- Cooling Override
- Flare Connections
- Three Speed Fan

Indoor Color: White



Five (5) years on all parts to the original registered end-user warranty



One (1) year warranty on remote control unit.



AIR CONDITIONERS

www.NortonAirConditioners.com

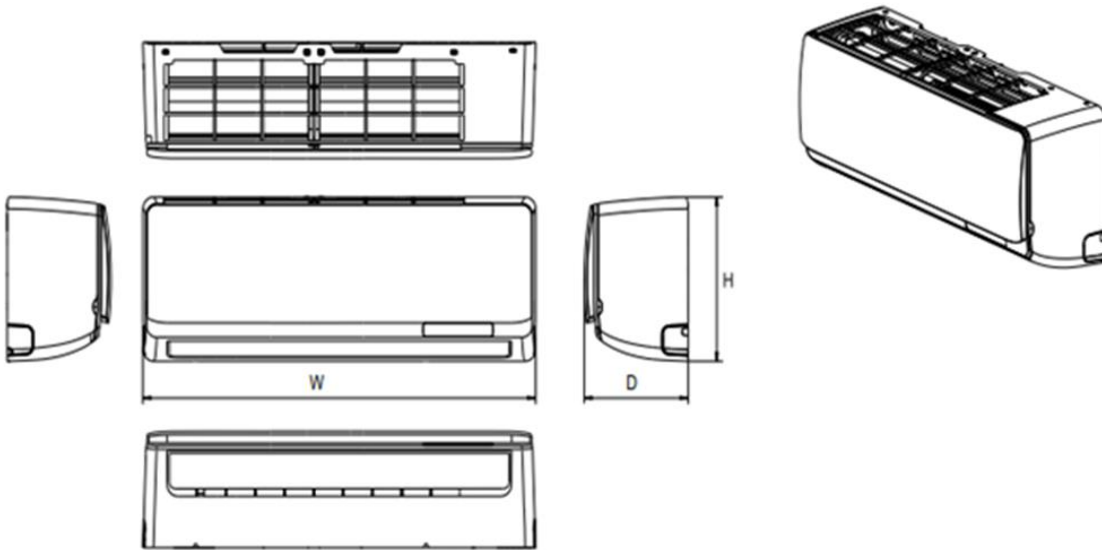
Submittal Data Sheet

Project Name:		Approval:	
Location:		Date:	
Engineer:		Construction:	
Submitted to:		Unit #:	
Submitted by:		Drawing #:	
Reference:			

Model	
Indoor unit model	DWHP14-12-12-25

INDOOR UNIT DATA

Indoor fan motor		
Model		ZKFP-20-8-6-7
Type		DC
Input		50.0
RLA	A	0.036
LRA	A	---
Winding Resistance	Ω	---
Capacitor	μ F	---
Speed(Hi/Mi/Lo)	r/min	1170/900/700
Air flow & Noise level		
Indoor air flow (Hi/Lo)	CFM	371/274/198
Indoor noise level (Hi/Lo)	dB(A)	45.1/35.8/28.6
Indoor unit		
Dimension(W*D*H)	inch	32.87x7.80x11.02
Packing (W*D*H)	inch	35.83x10.63x13.98
Net/Gross weight	lbs.	19.8/26.7



Model	W (inch)	D (inch)	H (inch)
DWHP14-12-12-25	32.87	7.8	11.02

Oasis Indoor Units - Wall-Mounted

For Multi- Zone Application

Heat Pump

Nominal Capacity: 1.5 Ton

Indoor Unit Model# DWHP14-18-12-25

Sold Only with Muti-Zone Outdoor units

See Match Rules Tab



AHRI Certification # See the Multi-Zone Outdoor Unit



E-Star



Summery Specification, (for Details please refer to Submittal Sheet)

Application: Residential, Commercial, Healthcare, Server Rooms

FEATURES AND BENEFITS

- Qualified for Rebate programs in most of NE States
- Ductless Mini-split System
- Equipment Limited Warranty: 5 year parts, One (1) year warranty on remote control unit
- Single phase power supply (208/230V)
- R410A Refrigerant
- Multi-Refrigerant Outlet
- Electronic expansion valve

Other Features

- Pre-Heat Function
- Remote Control
- LED Readout
- Auto Restart
- Cooling Override
- Flare Connections
- Three Speed Fan

Indoor Color: White



Five (5) years on all parts to the original registered end-user warranty



One (1) year warranty on remote control unit.



AIR CONDITIONERS

www.NortonAirConditioners.com

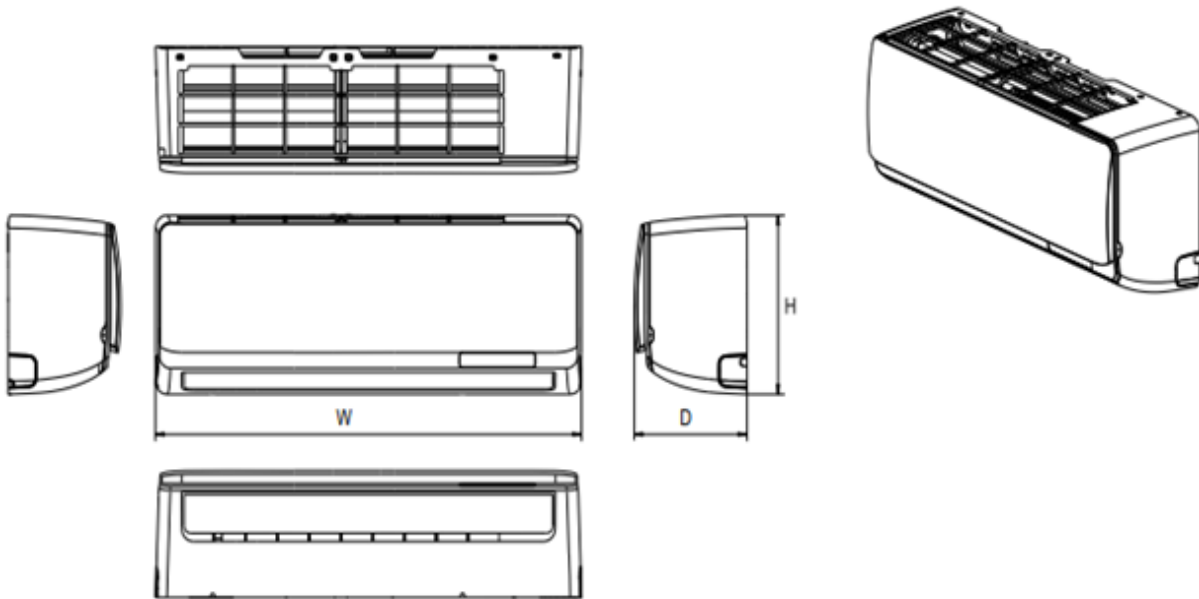
Submittal Data Sheet

Project Name:		Approval:	
Location:		Date:	
Engineer:		Construction:	
Submitted to:		Unit #:	
Submitted by:		Drawing #:	
Reference:			

Model	
Indoor unit model	DWHP14-18-12-25

INDOOR UNIT DATA

Indoor fan motor		
Model		ZKFP-58-8-1
Type		DC
Input		58.0
RLA	A	0.4
LRA	A	---
Winding Resistance	Ω	---
Capacitor	uF	---
Speed(Hi/Mi/Lo)	r/min	1100/900/700
Air flow & Noise level		
Indoor air flow (Hi/Lo)	CFM	530/410/295
Indoor noise level (Hi/Lo)	dB(A)	46.2/36.3/30.9
Indoor unit		
Dimension(W*D*H)	inch	38.98x8.58x12.40
Packing (W*D*H)	inch	41.93x11.81x15.75
Net/Gross weight	lbs.	26.9/34.8



Model	W (inch)	D (inch)	H (inch)
DWHP14-18-12-25	38.98	8.58	12.4

Oasis Indoor Units - Wall-Mounted

For Multi- Zone Application

Heat Pump

Nominal Capacity: 2 Ton

Indoor Unit Model# DWHP14-24-12-25

Sold Only with Muti-Zone Outdoor units

See Match Rules Tab



AHRI Certification # See the Multi-Zone Outdoor Unit



E-Star



Summery Specification, (for Details please refer to Submittal Sheet)

Application: Residential, Commercial, Healthcare, Server Rooms

FEATURES AND BENEFITS

- Qualified for Rebate programs in most of NE States
- Ductless Mini-split System
- Equipment Limited Warranty: 5 year parts, One (1) year warranty on remote control unit
- Single phase power supply (208/230V)
- R410A Refrigerant
- Multi-Refrigerant Outlet
- Electronic expansion valve

Other Features

- Pre-Heat Function
- Remote Control
- LED Readout
- Auto Restart
- Cooling Override
- Flare Connections
- Three Speed Fan

Indoor Color: White



Five (5) years on all parts to the original registered end-user warranty



One (1) year warranty on remote control unit.



www.NortonAirConditioners.com

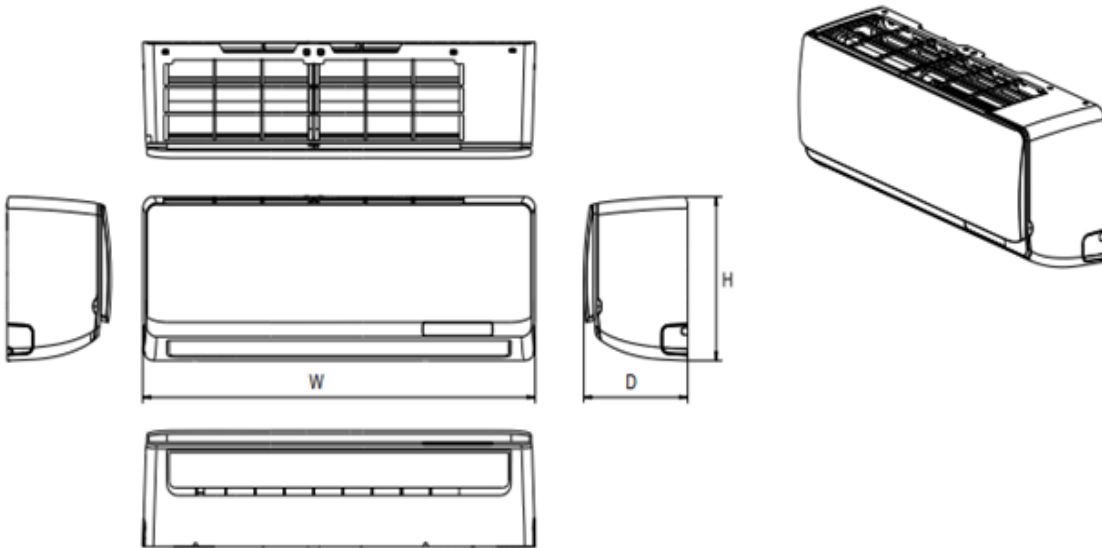
Submittal Data Sheet

Project Name:		Approval:	
Location:		Date:	
Engineer:		Construction:	
Submitted to:		Unit #:	
Submitted by:		Drawing #:	
Reference:			

Model	
Indoor unit model	DWHP14-24-12-25

INDOOR UNIT DATA

Indoor fan motor		
Model		ZKFP-60-8-1
Type		DC
Input		72.0
RLA	A	0.23
LRA	A	---
Winding Resistance	Ω	---
Capacitor	μ F	---
Speed(Hi/Mi/Lo)	r/min	1200/1100/900
Air flow & Noise level		
Indoor air flow (Hi/Lo)	CFM	695/624/485
Indoor noise level (Hi/Lo)	dB(A)	44/41/38
Indoor unit		
Dimension(W*D*H)	inch	46.69x10.16x13.39
Packing (W*D*H)	inch	49.80x16.53x13.39
Net/Gross weight	lbs.	39.9/53.6



Model	W (inch)	D (inch)	H (inch)
DWHP14-24-12-25	46.69	10.16	13.39

Ducted Indoor Units – Concealed Mounted

For Multi- Zone Application

Heat Pump

Nominal Capacity: 0.75 Ton

Indoor Unit Model# DHP14-09-12-U

Sold Only with Muti-Zone Outdoor units

See Match Rules Tab



AHRI Certification # See the Multi-Zone Outdoor Unit



E-Star



Summery Specification, (for Details please refer to Submittal Sheet)

Application: Residential, Commercial, Healthcare, Server Rooms

FEATURES AND BENEFITS

- Qualified for Rebate programs in most of NE States
- Ductless Mini-split System
- Equipment Limited Warranty: 5 year parts, One (1) year warranty on remote control unit
- Single phase power supply (208/230V)
- R410A Refrigerant
- Multi-Refrigerant Outlet
- Electronic expansion valve

Other Features

- Pre-Heat Function
- Remote Control
- LED Readout
- Auto Restart
- Cooling Override
- Flare Connections
- Three Speed Fan

Indoor Color: White



Five (5) years on all parts to the original registered end-user warranty



One (1) year warranty on remote control unit.



AIR CONDITIONERS

www.NortonAirConditioners.com

Submittal Data Sheet

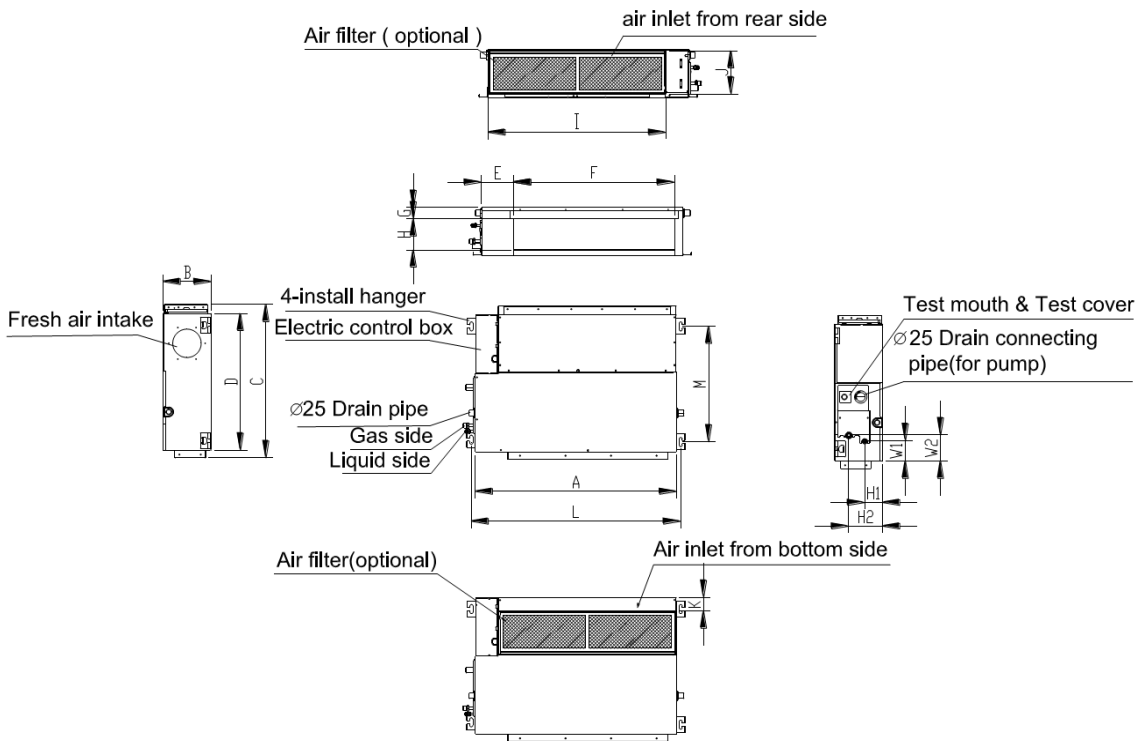
Project Name:		Approval:	
Location:		Date:	
Engineer:		Construction:	
Submitted to:		Unit #:	
Submitted by:		Drawing #:	
Reference:			

Indoor unit model	DHP14-09-12-U		
Power supply	Ph-V-Hz	208-230V,1Ph,60Hz	



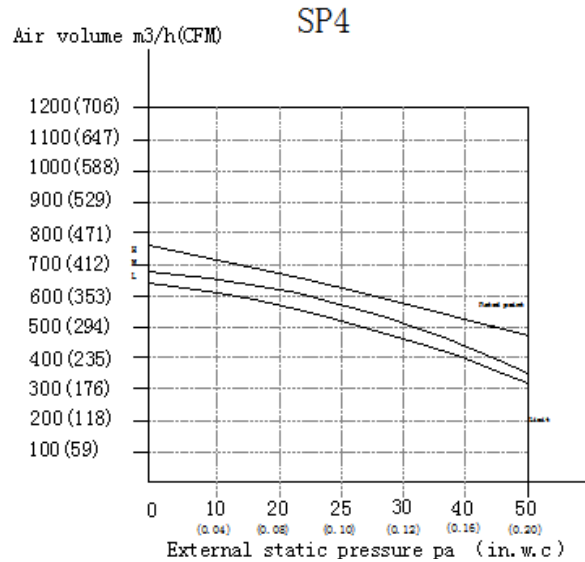
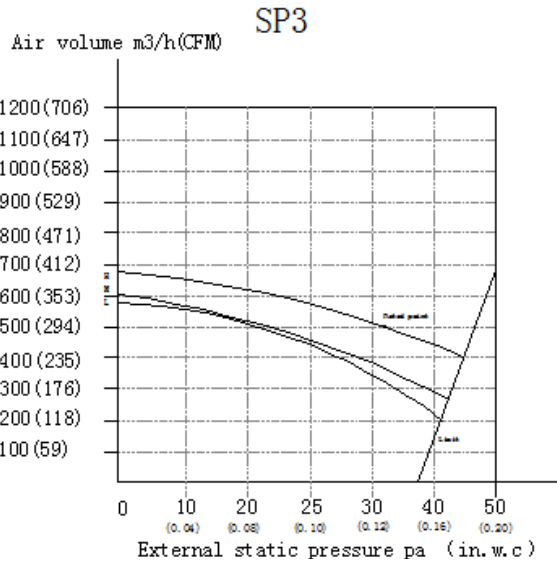
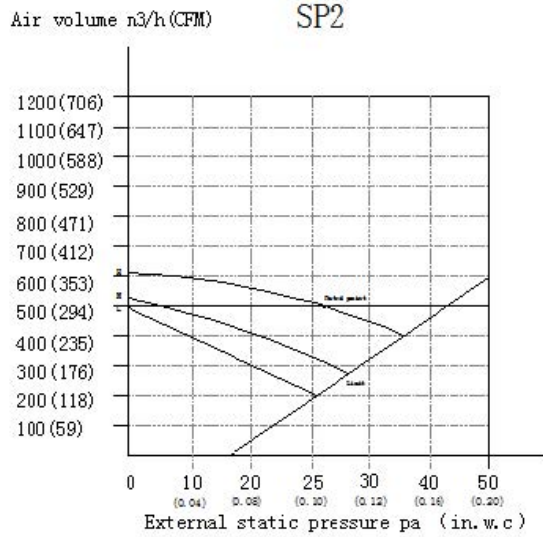
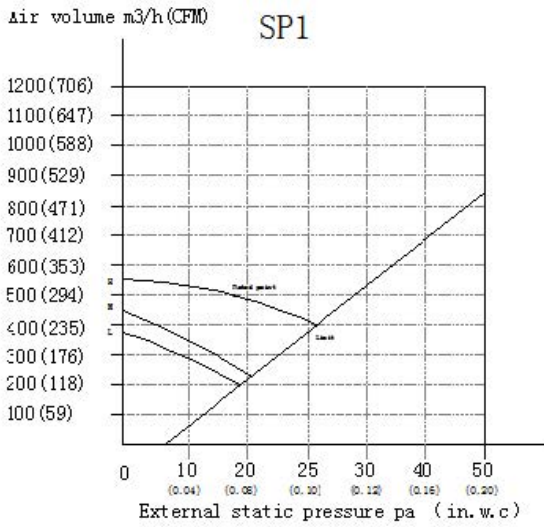
INDOOR UNIT DATA

Indoor fan motor			
Model		ZKFN-55-8-22	
Type		DC	
Input		130.0	
RLA	A	1.11	
LRA	A	---	
Winding Resistance	Ω	---	
Capacitor	uF	---	
Speed(Hi/Mi/Lo)	r/min	1170/1030/850	
Air flow & Noise level			
Indoor air flow (Hi/Lo)	CFM	353/283/177	
Indoor noise level (Hi/Lo)	dB(A)	38/25/32	
Indoor unit			
Dimension(W*D*H)	inch	27.56x17.72x7.87	
Packing (W*D*H)	inch	33.86x21.26x10.83	
Net/Gross weight	lbs.	37.5/48.3	



Multi-Zone System Technical Data

Capacity (Btu)	Outline dimension(mm)				Air outlet opening size				Air return opening size			Size of mounted plug		Size of gas and liquid valve			
	A	B	C	D	E	F	G	H	I	J	K	L	M	H1	H2	W1	W2
9000	700	200	506	450	137	537	30	152	599	186	50	741	360	84	140	84	84



Indoor Units – Concealed Mounted

For Multi- Zone Application

Heat Pump

Nominal Capacity: 1 Ton

Indoor Unit Model# DHP14-12-12-U

Sold Only with Muti-Zone Outdoor units

See Match Rules Tab



AHRI Certification # See the Multi-Zone Outdoor Unit



E-Star



Summery Specification, (for Details please refer to Submittal Sheet)

Application: Residential, Commercial, Healthcare, Server Rooms

FEATURES AND BENEFITS

- Qualified for Rebate programs in most of NE States
- Ductless Mini-split System
- Equipment Limited Warranty: 5 year parts, One (1) year warranty on remote control unit
- Single phase power supply (208/230V)
- R410A Refrigerant

- Multi-Refrigerant Outlet
 - Electronic expansion valve
- Other Features

- Pre-Heat Function
- Remote Control
- LED Readout
- Auto Restart
- Cooling Override
- Flare Connections
- Three Speed Fan

Indoor Color: White



Five (5) years on all parts to the original registered end-user warranty



One (1) year warranty on remote control unit.



AIR CONDITIONERS

www.NortonAirConditioners.com

Submittal Data Sheet

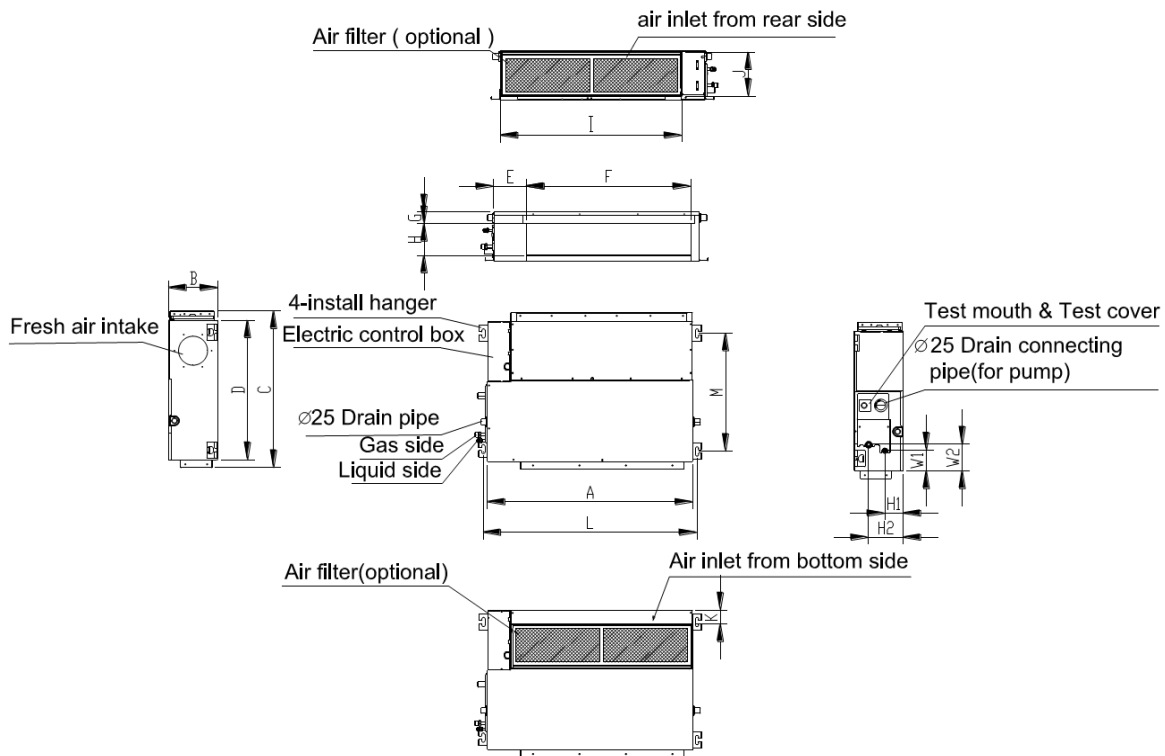
Project Name:		Approval:	
Location:		Date:	
Engineer:		Construction:	
Submitted to:		Unit #:	
Submitted by:		Drawing #:	
Reference:			

Model			
Indoor unit model	DHP14-12-12-U		
Power supply	Ph-V-Hz	208-230V,1Ph,60Hz	



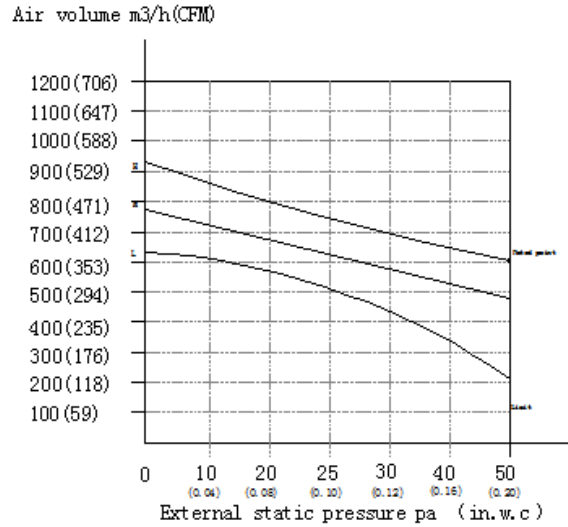
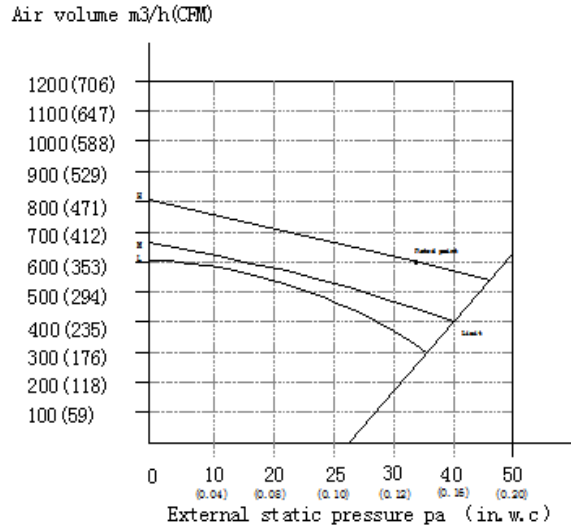
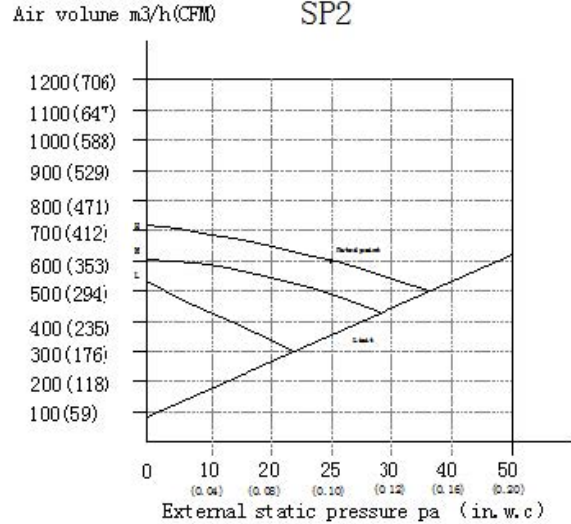
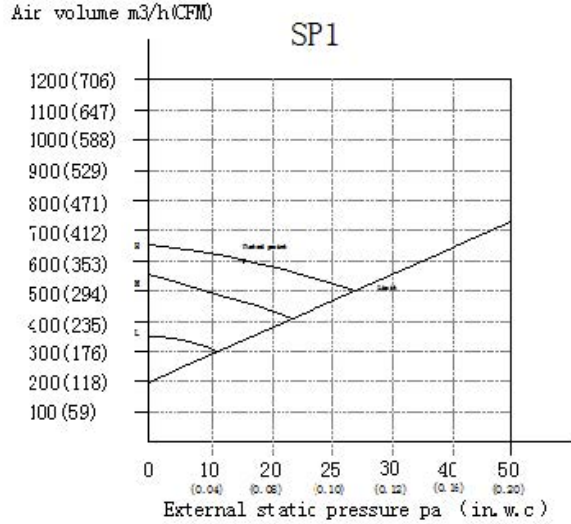
INDOOR UNIT DATA

Indoor fan motor			
Model		ZKFN-55-8-22	
Type		DC	
Input		130.0	
RLA	A	1.11	
LRA	A	---	
Winding Resistance	Ω	---	
Capacitor	μ F	---	
Speed(Hi/Mi/Lo)	r/min	1170/1030/850	
Air flow & Noise level			
Indoor air flow (Hi/Lo)	CFM	353/283/177	
Indoor noise level (Hi/Lo)	dB(A)	38/26/33.5	
Indoor unit			
Dimension(W*D*H)	inch	27.56x17.72x7.87	
Packing (W*D*H)	inch	33.86x21.26x10.83	
Net/Gross weight	lbs.	37.5/48.3	



Multi-Zone System Technical Data

Capacity (Btu)	Outline				Air outlet opening size				Air return			Size of mounted		Size of gas and liquid			
	A	B	C	D	E	F	G	H	I	J	K	L	M	H1	H2	W1	W2
12000	700	200	506	450	137	537	30	152	599	186	50	741	360	84	140	84	84



Indoor Units – Concealed Mounted

For Multi- Zone Application

Heat Pump

Nominal Capacity: 1.5 Ton

Indoor Unit Model# DHP14-18-12-U

Sold Only with Muti-Zone Outdoor units

See Match Rules Tab



AHRI Certification # See the Multi-Zone Outdoor Unit



E-Star



Summery Specification, (for Details please refer to Submittal Sheet)

Application: Residential, Commercial, Healthcare, Server Rooms

FEATURES AND BENEFITS

- Qualified for Rebate programs in most of NE States
- Ductless Mini-split System
- Equipment Limited Warranty: 5 year parts, One (1) year warranty on remote control unit
- Single phase power supply (208/230V)
- R410A Refrigerant
- Multi-Refrigerant Outlet
- Electronic expansion valve

Other Features

- Pre-Heat Function
- Remote Control
- LED Readout
- Auto Restart
- Cooling Override
- Flare Connections
- Three Speed Fan

Indoor Color: White



Five (5) years on all parts to the original registered end-user warranty



One (1) year warranty on remote control unit.



AIR CONDITIONERS

www.NortonAirConditioners.com

Submittal Data Sheet

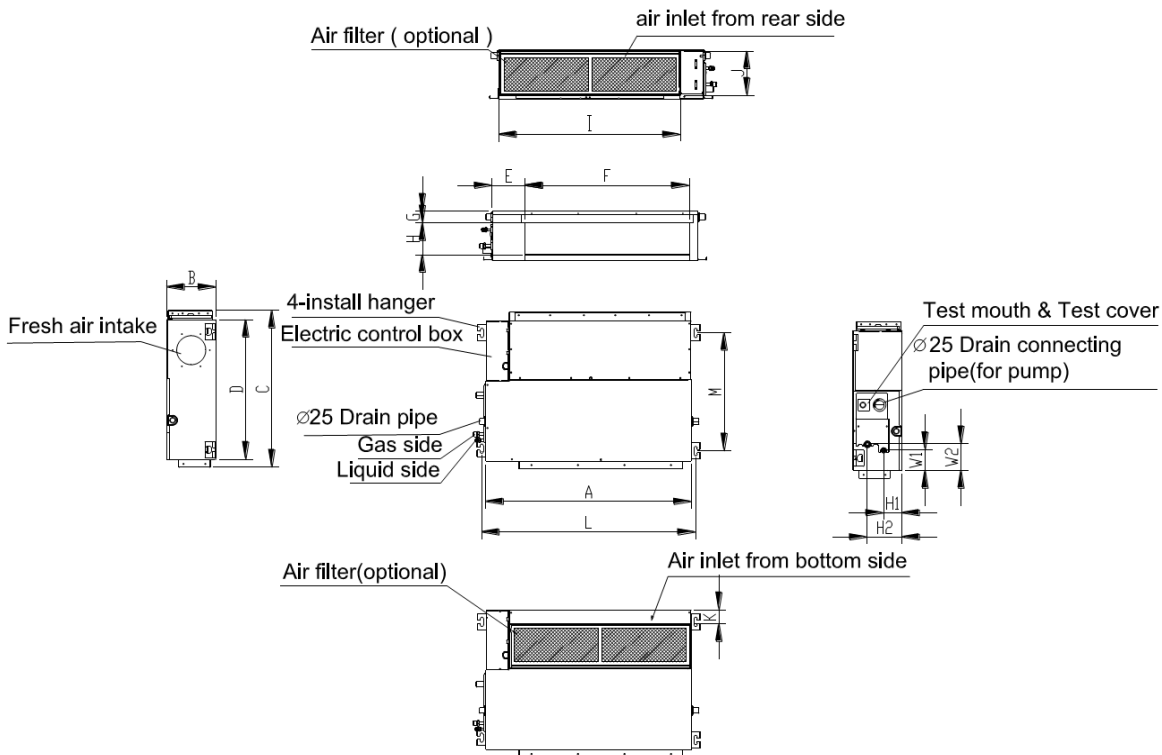
Project Name:		Approval:	
Location:		Date:	
Engineer:		Construction:	
Submitted to:		Unit #:	
Submitted by:		Drawing #:	
Reference:			

Model			
Indoor unit model	DHP14-18-12-U		
Power supply	Ph-V-Hz	208-230V,1Ph,60Hz	



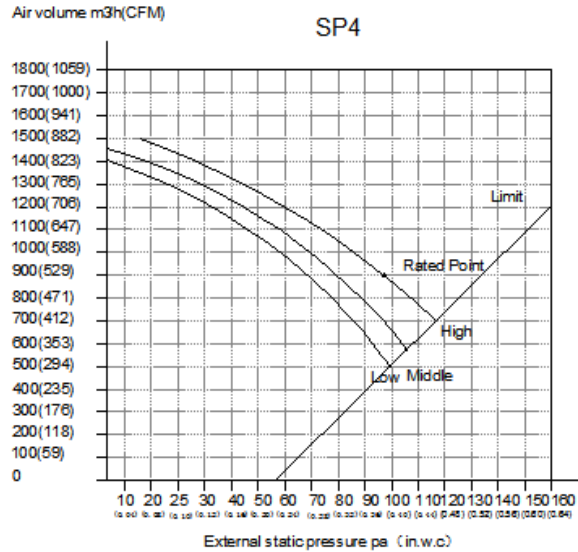
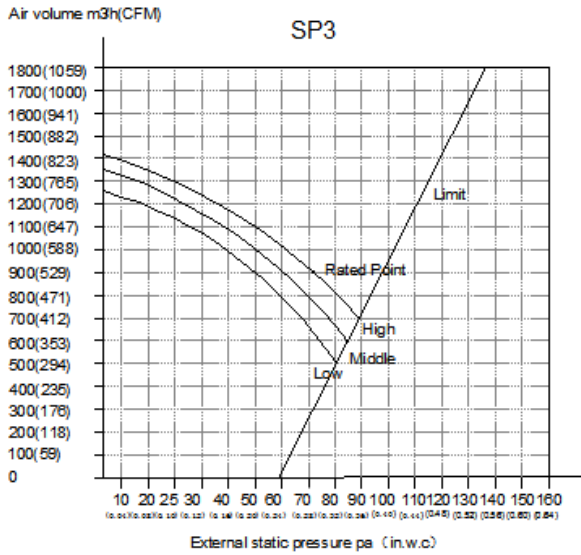
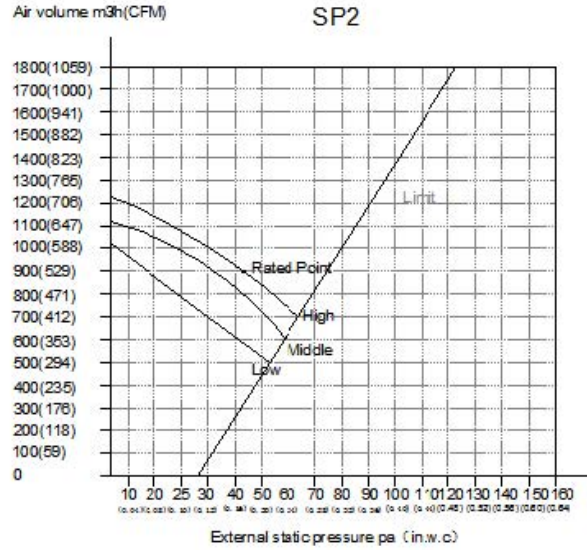
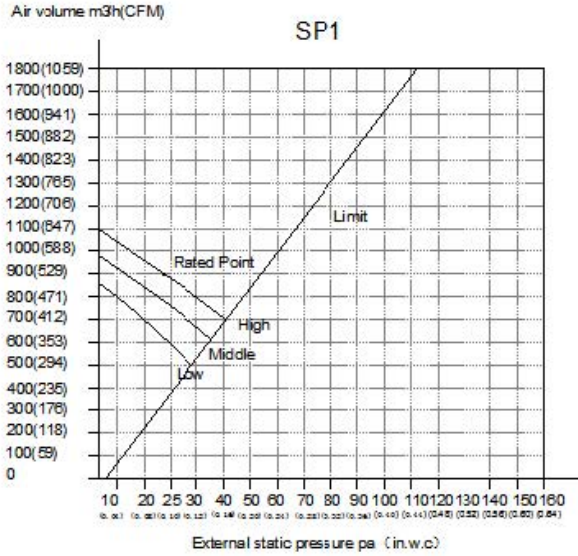
INDOOR UNIT DATA

Indoor fan motor			
Model			ZKFN-160-8-1-2
Type			DC
Input			90.0
RLA	A		1.2
LRA	A		---
Winding Resistance	Ω		---
Capacitor	uF		---
Speed(Hi/Mi/Lo)	r/min		850/700/450
Air flow & Noise level			
Indoor air flow (Hi/Lo)	CFM		530/450/371
Indoor noise level (Hi/Lo)	dB(A)		39/37/35
Indoor unit			
Dimension(W*D*H)	inch		34.65x28.53x8.27
Packing (W*D*H)	inch		42.13x28.53x10.63
Net/Gross weight	lbs.		54/66



Multi-Zone System Technical Data

Capacity (Btu)	Outline dimension(mm)				Air outlet opening size				Air return opening size			Size of mounted plug		Size of gas and liquid valve			
	A	B	C	D	E	F	G	H	I	J	K	L	M	H1	H2	W1	W2
18000	880	210	674	600	140	706	50	136	782	190	40	920	508	78	148	88	112



Indoor Units – Concealed Mounted

For Multi- Zone Application

Heat Pump

Nominal Capacity: 2 Ton

Indoor Unit Model# DHP14-24-12-U

Sold Only with Muti-Zone Outdoor units

See Match Rules Tab



AHRI Certification # See the Multi-Zone Outdoor Unit



E-Star



Summery Specification, (for Details please refer to Submittal Sheet)

Application: Residential, Commercial, Healthcare, Server Rooms

FEATURES AND BENEFITS

- Qualified for Rebate programs in most of NE States
- Ductless Mini-split System
- Equipment Limited Warranty: 5 year parts, One (1) year warranty on remote control unit
- Single phase power supply (208/230V)
- R410A Refrigerant
- Multi-Refrigerant Outlet
- Electronic expansion valve

Other Features

- Pre-Heat Function
- Remote Control
- LED Readout
- Auto Restart
- Cooling Override
- Flare Connections
- Three Speed Fan

Indoor Color: White



Five (5) years on all parts to the original registered end-user warranty



One (1) year warranty on remote control unit.



AIR CONDITIONERS

www.NortonAirConditioners.com

Submittal Data Sheet

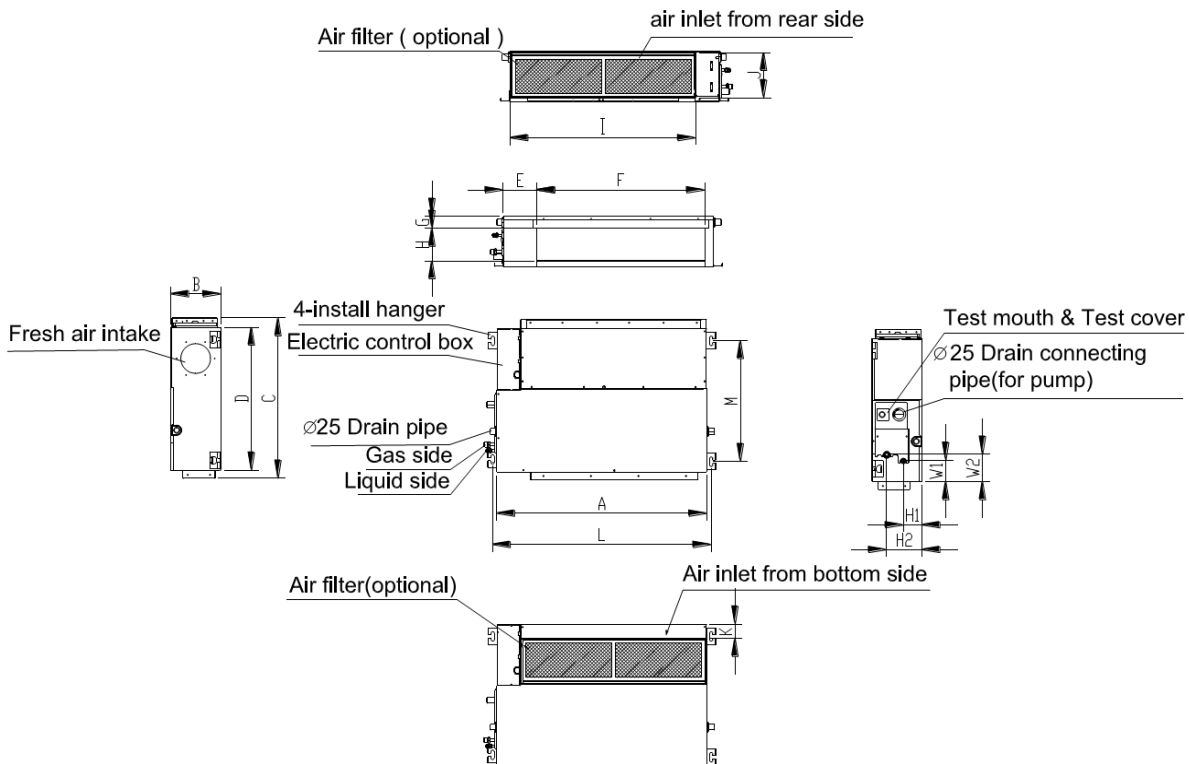
Project Name:		Approval:	
Location:		Date:	
Engineer:		Construction:	
Submitted to:		Unit #:	
Submitted by:		Drawing #:	
Reference:			

Model			
Indoor unit model	DHP14-24-12-U		
Power supply	Ph-V-Hz	208/230V,1Ph,60Hz	



INDOOR UNIT DATA

Indoor fan motor		
Model		ZKFN-160-8-1-2
Type		DC
Input		90.0
RLA	A	1.5
LRA	A	---
Winding Resistance	Ω	---
Capacitor	μ F	---
Speed(Hi/Mi/Lo)	r/min	880/820/690
Air flow & Noise level		
Indoor air flow (Hi/Lo)	CFM	776/694/435
Indoor noise level (Hi/Lo)	dB(A)	44/41/38
Indoor unit		
Dimension(W*D*H)	inch	43x30x10
Packing (W*D*H)	inch	51x32x12
Net/Gross weight	lbs.	87/103



Multi-Zone System Technical Data

Capacity (Btu)	Outline dimension(mm)				Air outlet opening size				Air return opening size			Size of mounted plug		Size of gas and liquid valve			
	A	B	C	D	E	F	G	H	I	J	K	L	M	H1	H2	W1	W2
24000	1100	249	774	700	140	926	50	175	1001	228	5	1140	598	80	150	130	155

