



Submittal Data Sheet

Project Name:		Approval:	
Location:		Date:	
Engineer:		Construction:	
Submitted to:		Unit #:	
Submitted by:		Drawing #:	
Reference:			

Model	
Indoor unit model	DWHP14-24-12-25
Outdoor unit model	OHP14-24-12-22

PERFORMANCE DATA

Power supply	Ph-V-Hz	208/230V,1Ph,60Hz
Cooling		
Capacity	Btu/h	24000
Input	W	1750
Rated current	A	7.8

Heating at 47

Capacity	Btu/h	25000
Input	W	1955
Rated current	A	8.7
COP	W/W	3.747867463

Electrical

MINIMUM CIRCUIT AMPACITY	A	18
MAX. FUSE	A	25
Connection wiring		14*4 AWG

Compressor

Model		ATF235D22UMT
Type		ROTARY
Brand		GMCC
Capacity	Btu/h	24345
Input	W	1970
Rated current(RLA)	A	12
Locked rotor Amp(LRA)	A	---
Thermal protector		---
Thermal protector position		---
Refrigerant oil/oil charge	ml	POE(VG74)/670

SYSTEM DATA

Design pressure	PSIG	550/340 PSIG
Refrigerant type	oz	R410A/82.9
Refrigerant precharge	ft	25
Additional charge per ft.	oz	0.32
Liquid side/ Gas side	mm(in)	Φ9.52/Φ15.9(3/8"/5/8")
Max. refrigerant pipe length	ft	164
Max. difference in level	ft.	82

INDOOR UNIT DATA

Indoor fan motor		
Model		ZKFP-60-8-1
Type		DC
Input		72.0
RLA	A	0.23
LRA	A	---
Winding Resistance	Ω	---
Capacitor	uF	---
Speed(Hi/Mi/Lo)	r/min	1200/1100/900
Air flow & Noise level		
Indoor air flow (Hi/Lo)	CFM	695/624/485
Indoor noise level (Hi/Lo)	dB(A)	51.7/44.5/ 35.1

Indoor unit

Dimension(W*D*H)	inch	46.69x10.16x13.39
Packing (W*D*H)	inch	49.80x16.53x13.39
Net/Gross weight	lbs.	39.9/53.6

OUTDOOR UNIT DATA

Outdoor fan motor		
Model		ZKFN-120-8-2
Type		DC
Input		150
RLA	A	0.6
LRA	A	---
Winding Resistance	Ω	---
Capacitor	uF	---
Speed	r/min	810
Air flow & Noise level		
Outdoor air flow	CFM	2237
Outdoor noise level	dB(A)	61

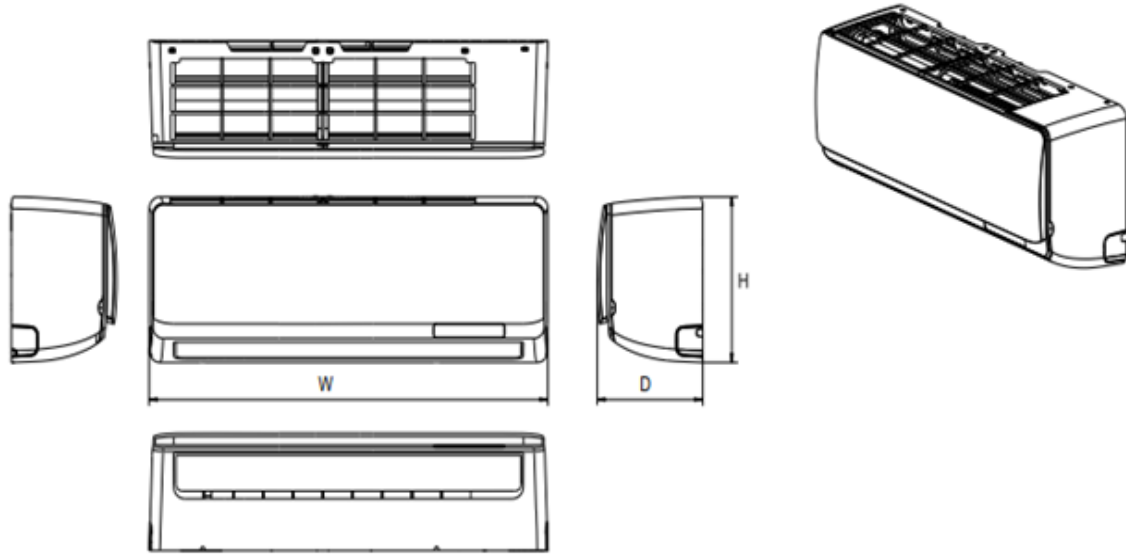
Outdoor unit

Dimension(W*D*H)	inch	37.24x16.14x31.89
Packing (W*D*H)	inch	42.91x19.69x34.45
Net/Gross weight	lbs.	136.69/148.59

Operation temperature

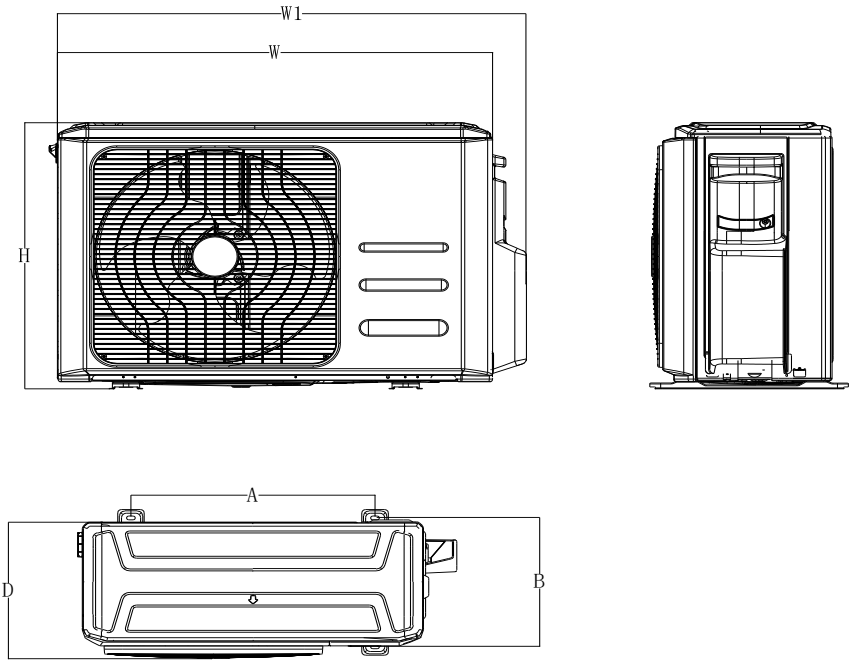
Indoor(cooling/ heating)	Deg. F	62~90/32~86
Outdoor(cooling/heating)	Deg. F	-13~122/ -13~86
Application area	sq.ft	344-505

INDOOR UNIT



Model	W (inch)	D (inch)	H (inch)
DWHP14-24-12-25	46.69	10.16	13.39

OUTDOOR UNIT



Model	W (inch)	D (inch)	H (inch)	W1 (inch)	A (inch)	B (inch)
OHP14-24-12-22	37.2	16.1	31.9	40.6	26.5	15.9