



Submittal Data Sheet

Project Name:		Approval:	
Location:		Date:	
Engineer:		Construction:	
Submitted to:		Unit #:	
Submitted by:		Drawing #:	
Reference:			

Model	
Indoor unit model	DWHP14-12-12-25
Outdoor unit model	OHP14-12-12-25

PERFORMANCE DATA

Power supply	Ph-V-Hz	208-230V,1Ph,60Hz
Cooling		
Capacity	Btu/h	12000
Input	W	960
Rated current	A	4.2

Heating at 47

Capacity	Btu/h	12000
Input	W	975
Rated current	A	4.239130435
COP	W/W	3.55

Electrical

MINIMUM CIRCUIT AMPACITY	A	9
MAX. FUSE	A	15
Connection wiring		14*4 AWG

Compressor

Model		ATM115D43UFZ2
Type		ROTARY
Brand		GMCC
Capacity	Btu/h	11430
Input	W	870
Rated current(RLA)	A	5.65
Locked rotor Amp(LRA)	A	---
Thermal protector		---
Thermal protector position		---
Refrigerant oil/oil charge	ml	ESTER OIL VG74 / 500

SYSTEM DATA

Design pressure	PSIG	550/340 PSIG
Refrigerant type	oz	R410A/52.9
Refrigerant precharge	ft	25
Additional charge per ft.	oz	0.16
Liquid side/ Gas side	mm(in)	Φ6.35/Φ12.7(1/4"/1/2")
Max. refrigerant pipe length	ft	82
Max. difference in level	ft.	33

INDOOR UNIT DATA

Indoor fan motor		
Model		ZKFP-20-8-6-7
Type		DC
Input		50.0
RLA	A	0.036
LRA	A	---
Winding Resistance	Ω	---
Capacitor	uF	---
Speed(Hi/Mi/Lo)	r/min	1170/900/700
Air flow & Noise level		
Indoor air flow (Hi/Lo)	CFM	371/274/198
Indoor noise level (Hi/Lo)	dB(A)	45.1/35.8/28.6

Indoor unit

Dimension(W*D*H)	inch	32.87x7.80x11.02
Packing (W*D*H)	inch	35.83x10.63x13.98
Net/Gross weight	lbs.	19.8/26.7

OUTDOOR UNIT DATA

Outdoor fan motor		
Model		ZKFN-40-8-1L
Type		DC
Input		63
RLA	A	0.38
LRA	A	---
Winding Resistance	Ω	---
Capacitor	uF	---
Speed	r/min	810
Air flow & Noise level		
Outdoor air flow	CFM	1180
Outdoor noise level	dB(A)	57

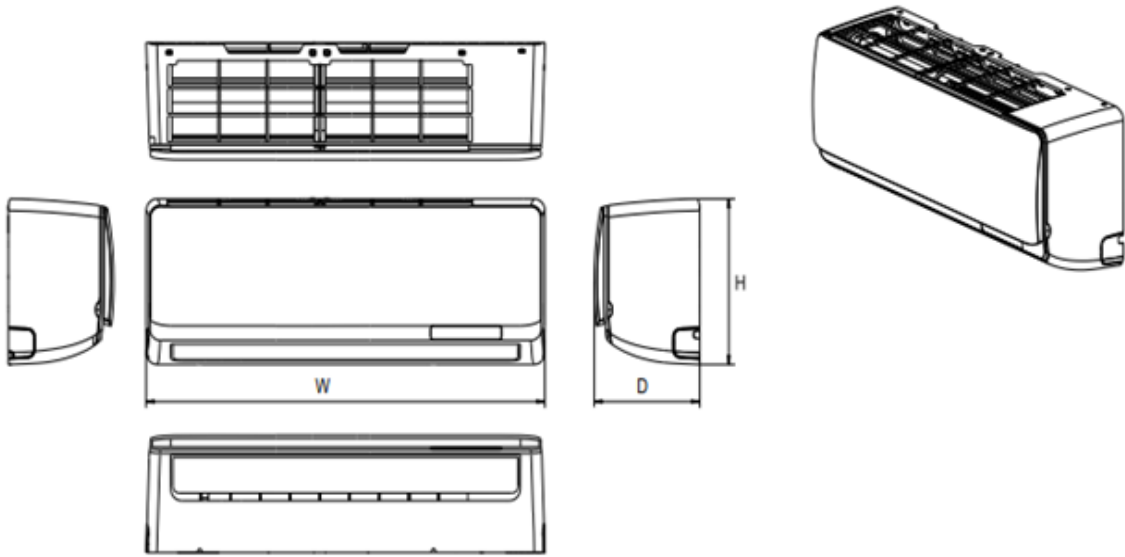
Outdoor unit

Dimension(W*D*H)	inch	31.5x13.11x21.81
Packing (W*D*H)	inch	36.22x15.35x24.21
Net/Gross weight	lbs.	88.18/93.7

Operation temperature

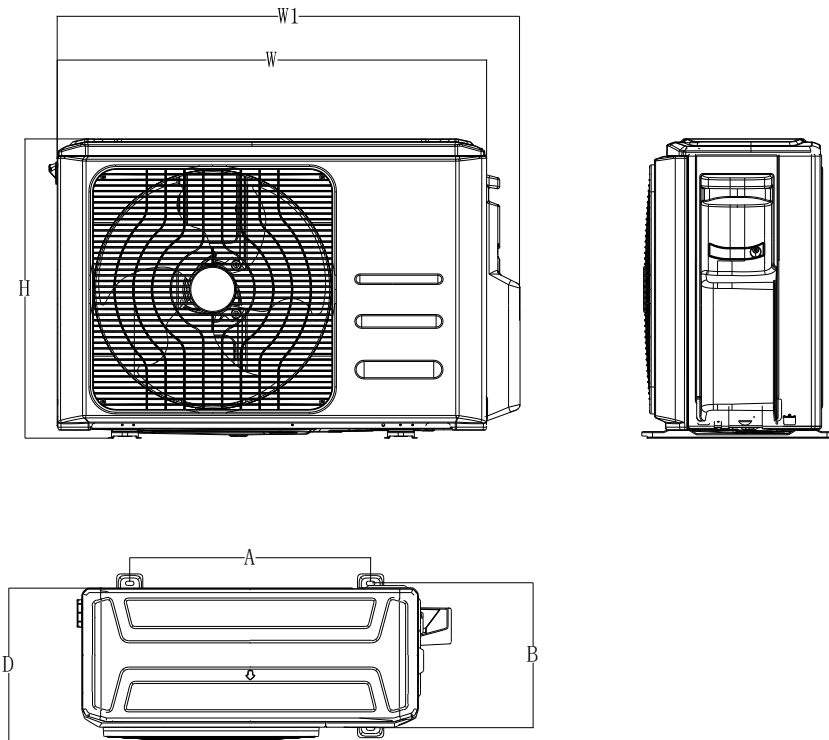
Indoor(cooling/ heating)	Deg. F	62~90/32~86
Outdoor(cooling/heating)	Deg. F	-22~122/ -22~86
Application area	sq.ft	172-247

INDOOR UNIT



Model	W (inch)	D (inch)	H (inch)
DWHP14-12-12-25	32.87	7.8	11.02

OUTDOOR UNIT



Model	W (inch)	D (inch)	H (inch)	W1 (inch)	A (inch)	B (inch)
OHP14-12-12-25	31.5	13.1	21.8	34.3	20.2	13.4